

FH-20HR / FH-21HR

X-ray tube support



X-ray tube support FH-20HR/21HR

SHIMADZU X-ray tube supports, FH-20HR and FH-21HR, have an X-ray tube unit and collimator. Various examinations can be executed in combination with a radiographic table. Two types are selectable depending on installation space.

- FH-20HR : Floor mounted unit,
Horizontal rotation type
- FH-21HR : Floor-wall · ceiling mounted unit,
Horizontal rotation type

1 Smooth positioning

It is easy to position the X-ray tube using the grip, which provides excellent operability. Each lock is released through the soft touch operation of a sheet key switch on the panel. Accurate positioning can be executed as the X-ray tube unit moves vertically, longitudinally or laterally and rotates horizontally by gripping the handle.

2 Quick set up

The button under the handle makes it easy to pull down the X-ray tube when positioned high, enabling speedy set up.

3 Clean operation panel

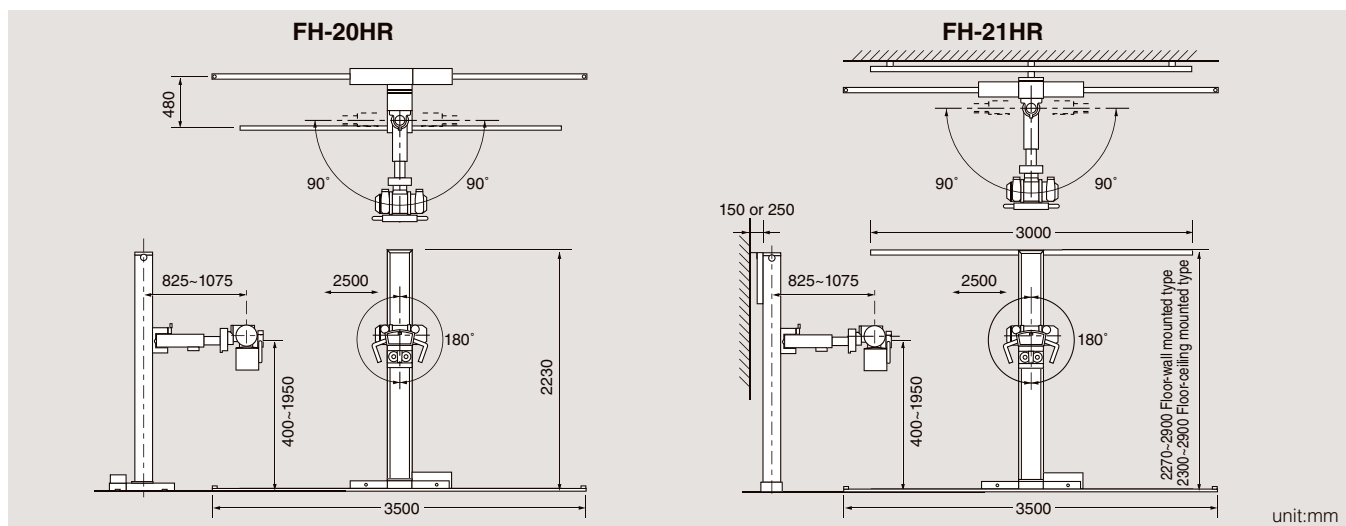
A sheet key switch is adopted on the front of the operation panel. It is easy to keep the unit clean.

SPECIFICATIONS

Max. allowable counterbalancing weight	35kg
Balancing method	Counterbalance
Focus movement	
Vertical travel (focus-floor distance)	400-1950mm continuous
Operation	Manual, Electromagnetic lock [*]
Longitudinal travel (along the guide rail)	2500mm continuous
Operation	Manual, Electromagnetic lock [*]
Lateral travel (along the horizontal support arm)	250mm continuous
Operation	Manual, Electromagnetic lock [*]
The X-ray tube rotations on the horizontal axis	±180°continuous
Operation	Manual, Electromagnetic lock [*]
X-ray tube rotation	+90° -10°continuous
Operation	Manual, Manual lock
Rotation of the horizontal	±90°
Operation	Manual,-90°, 0°, +90° · Click stop by 90°
INSTALLATION REQUIREMENTS	
Installation space	1600mm W × 3600mm L
Ceiling height	2300mm or more
Length of guide rails	3500mm
Weight	140kg (excluding an x-ray tube and a collimator)
Power source	AC100V, 0.3kVA, 50/60Hz (supplied from an x-ray generator)

^{*}It is released when activated.

DIMENSIONS



Founded in 1875, Shimadzu Corporation, a leader in the development of advanced technologies, has a distinguished history of innovation built on the foundation of contributing to society through science and technology. We maintain a global network of sales, service, technical support and applications centers on six continents, and have established long-term relationships with a host of highly trained distributors located in over 100 countries. For information about Shimadzu, and to contact your local office, please visit our Web site at www.shimadzu.com



Shimadzu Corporation Medical Systems Division has been certified by TÜV Rheinland as a manufacturer of medical systems in compliance with ISO9001:2008 Quality Management Systems and ISO13485:2003 Medical Devices Quality Management Systems.



Shimadzu Corporation

Headquarters

1, Nishinokyo-Kuwabara-cho, Nakagyo-ku, Kyoto 604-8511, Japan
<http://www.shimadzu.com>

Remarks:

- Every value in this catalogue is a standard value, and it may vary a little from the actual at each site.
- The appearances and specifications are subject to change for reasons of improvement without notice.
- Certain configurations may not be available pending regulatory clearance. Contact your Shimadzu representative for information on specific configurations.
- Before operating this system, you should first thoroughly review the Instruction Manual.