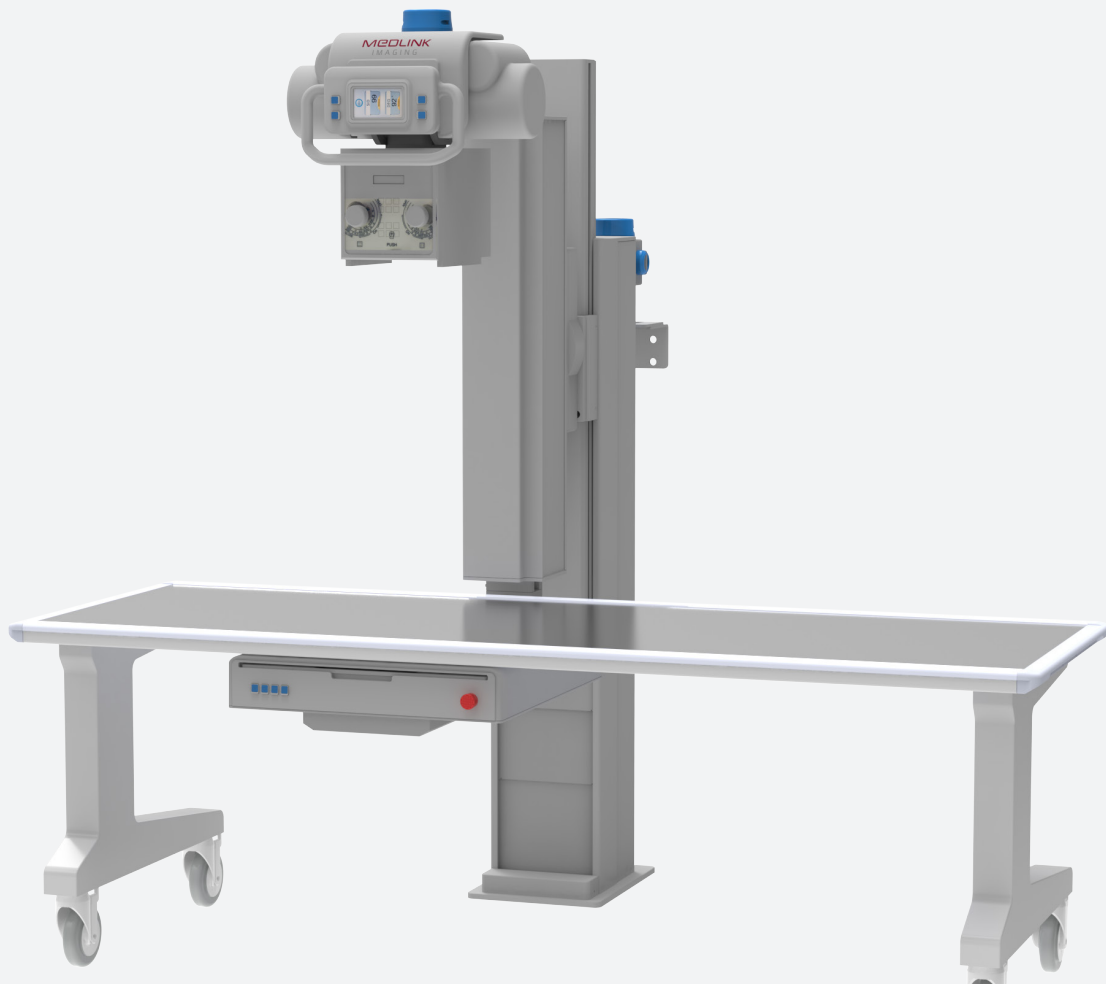


Full Room Solution

URS Straight Arm



MEDLINK IMAGING

a VIEWWORKS company

URS – Straight Arm

A complete universal system that offers an advanced digital x-ray solution in a design that is both compact and efficient. Composed of a floor-to-wall column with rotating arm and variable height center, this system allows for the exposure of patients in erect, prone & lateral positions. In addition, the URS- Straight Arm also includes the 17x17V VIVIX-S fixed flat panel detector by Vieworks. As one of the top panels manufactured in today's market, this panel boasts superior image quality, automatic exposure detection, and a wide 17" x 17" active area.



Quick Install



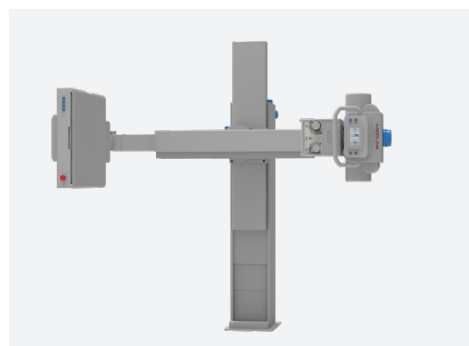
Compact Design



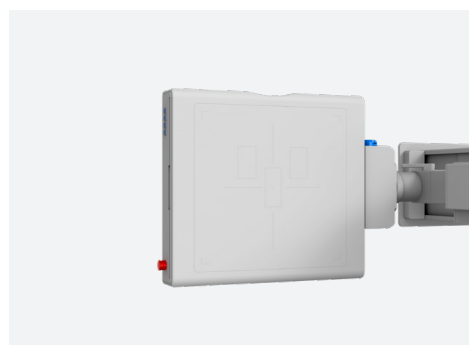
Affordable



[Full Front View with Table]



[Front View No Table]



[Bucky Tray]



[Tube]

FPD and Workstation

VIVIX-S 1717V : Flat Panel Detector and Workstation



Reliable AED
(Automatic Exposure
Detection)



15 s
Short booting
time



Simple and easy
upgrading conventional
X-ray system

Technical Specifications

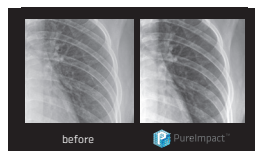
Model Name	FXRD-1717VA	FXRD-1717VB
Technology		a-Si TFT with photodiode
Scintillator	CsI:Tl	Gd ₂ O ₂ S:Tb
Pixel Pitch		140 μm
Spatial Resolution		3.5 lp/mm
Pixels		3,072 x 3,072 pixels
Image Size		17" x 17" (43.0 cm x 43.0 cm)
Grayscale		16 bits
Image Acquisition Time		2 s
Recommended Cycle Time		15 s
Data Interface		Gigabit Ethernet
X-ray Generator Interface		Auto trigger: AED Mode
Dimensions		46.0 cm x 46.0 cm x 1.5 cm
Weight		4.5 kg
X-ray Voltage Range		40 kVp to 150 kVp
Operating Environment		10°C to 35°C, 30 % to 85 % RH (non-condensing)
Power		DC 24 V, 0.6 A
Workstation		Intel Core i7 vPro Processor
Monitor		24" LED-backlit LCD Touchscreen

* Specifications are subject to change without prior notice.

VXvue : Digital Radiography Acquisition Viewer



Simple Workflow



Advanced Image Processing



Adjustment Tools



Convenient Usability

URS Specifications

Motorized Movement	Source to Image Distance (SID) control with arm elevating movement at vertical
Source to Image	100~180cm / 40~72 Inch (Continuously Adjustable)
Vertical Travel	400mm – 1700mm
Arm Rotation Angle	-30 ~ 120°
Tube Rotation	±90°
Detector Rotation	±45°
Power Requirement	Single Phase 208V ~ 3 Phase 480V
Collimator	Manual Control
Grid	18.5" x 18.5"; 10:1 Ratio; 103 LPI
High Voltage Cables	30ft HV Cables

Generator Specifications

Generator Type	High Frequency – Configured for Vieworks Single Console Intergration
Power Output	40KW CPI CMP 200 DR with Mini Console
Power Input	208/230VAC, Three Phase or 208V Single Phase
KVP Step	40 to 125kvp
mA Range	500mA
mAs	500mAs
Time	1ms – 5s

X-ray Tube Specifications

Tube Type	Anode Rotating Type
Focal Spot	0.6/1.5mm
Operating Voltage	40~125kVp
Target Angle	14°
Anode Heat Content	200KHU
Operating Temperature	50~104° F

Optional Configuration Specifications

Table Dimensions	78in x 29in x 28in
Table Caster	Individual Locking Casters

* Upgrades are available for the x-ray tube and generator

Medlink Imaging / a Vieworks company

Tel : 800-456-7800 **E-mail :** sales@medlinkimaging.com

Web : www.medlinkimaging.com **Address :** 1 Chapin Rd, Pine Brook, NJ 07058